



The bright way to profitable power

Equipment and services for engine power applications



Empowering

Whether you work with engines themselves or their application in power generation, your choice of auxiliary equipment plays a vital role in your success.

With Alfa Laval, you can be sure to get most power out of your installations, whether it is a small back-up facility or a plant generating hundreds of megawatts of power.

Alfa Laval is a leading supplier of advanced systems, equipment and services for engine builders and power contractors. Through strong relationships and many decades of cooperation, we've come to understand both installation and operational needs.

The engine and the equipment around it are central to your business. Ensuring that they profit your business is central to ours.



solutions



Alfa Laval

Discover our solutions for improved efficiency at engine power plants of all types and sizes.

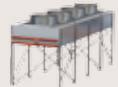
Seawater filtration that ensures high operational reliability

Alfa Laval's filters protect plate heat exchangers in virtually any application, especially where seawater is used. Highly reliable, they require minimal maintenance and drastically curtail PHE fouling.



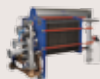
Engine circuit cooling that gives maximum reliability

Our engine cooling systems can be tailored to your exact needs and ensure maximum reliability even in the most extreme conditions.



Desalination that creates liquid assets

Alfa Laval pioneered the compact and cost-efficient production of fresh water from seawater. Our freshwater generators yield high-quality fresh water, which can be used both for technical purposes and for onward sale.



Separation that protects your equipment investment

Exceptional performance is just one of the expectations met by Alfa Laval high-speed separators. Ranging from standard options to fully customized solutions, they increase your efficiency while protecting your equipment.



Fuel conditioning to boost your engine performance

Alfa Laval's booster systems ensure the exactly right fuel cleanliness, pressure, temperature, viscosity and flow rate, securing your engine's combustion performance and reducing emissions.



Oily waste treatment that cuts your fuel costs

Our innovative PureDry separator system helps recover fuel oil that would otherwise go to waste and limits waste volume. The PureBilge system cleans the oily water down to 5 ppm of oil left in the water.



at engine po

Separation



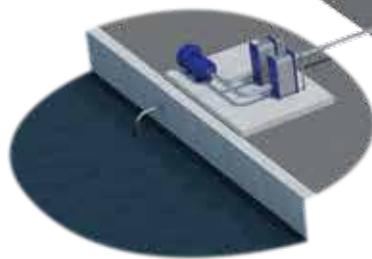
Engine circuit cooling



Fuel conditioning



Desalination



Seawater filtration

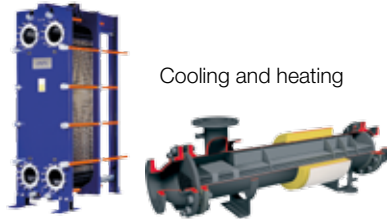


ower plants

Oily waste treatment



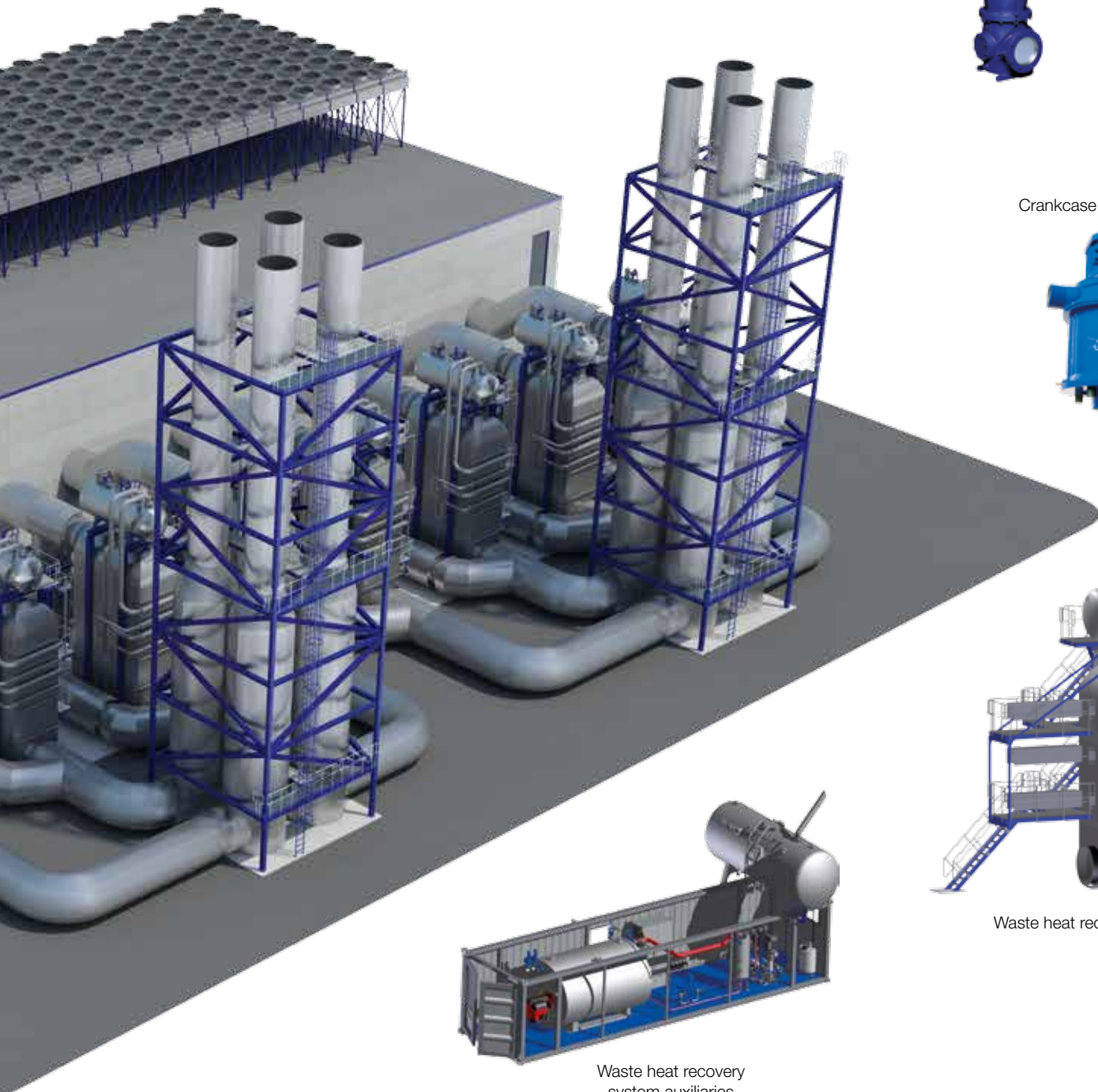
Cooling and heating



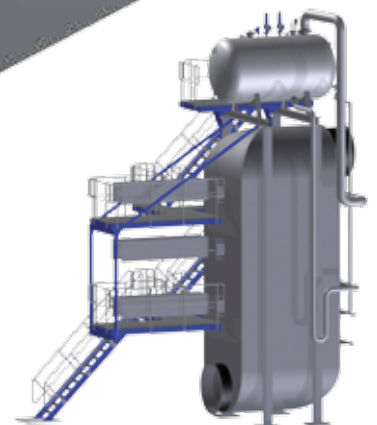
Filtration



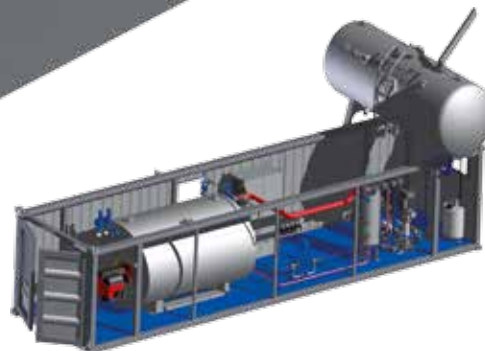
Crankcase gas cleaning

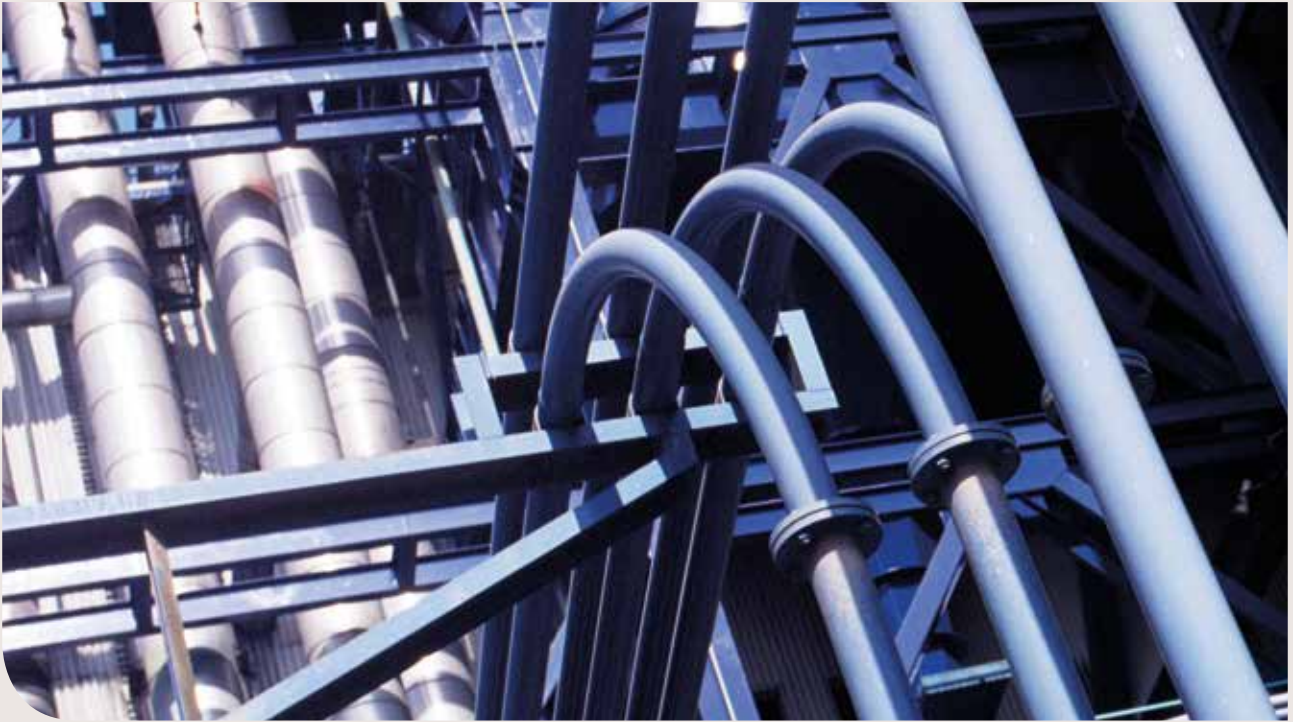


Waste heat recovery boiler



Waste heat recovery system auxiliaries





Cooling and heating solutions for maximum efficiency

Heat exchangers are a mature technology, yet Alfa Laval is still pushing limits. Our range of gasketed plate heat exchangers is continually being updated and extended. One example is AlfaCond, designed for condensing vapours into liquids at low pressure.



Optimized exhaust gas waste heat recovery

Alfa Laval's Aalborg natural circulation water tube WHR boilers with extended heating surface secure excellent reliability and long-term high performance. Our standard boiler concept with workshop-assembled self-standing structure allows easy and fast installation on site. Maximize your profit by optimizing boiler dimensioning for each installation.



Automatic filters for reliable engine protection

Alfa Laval's automatic full-flow self-cleaning filters for fuel and lubricating oil offer excellent engine protection and lower lifecycle costs.



Optimized solutions for auxiliary equipment

Alfa Laval supplies systems with a customer-determined scope of supply, ranging from maximized local outsourcing content to fully pre-assembled container solutions. Our WHR boilers, for example, are typically supplied with the common auxiliary accessories and control system built into a containerized module, which enables easy and fast installation on site.



Crankcase gas cleaning that simplifies compliance

Representing a radical new approach to the cleaning of crankcase gas in high-capacity installations, Alfa Laval's PureVent makes it easy for you to comply with increasingly stringent regulations.



Alfa Laval in brief

Alfa Laval is a leading global provider of specialized products and engineered solutions.

Our equipment, systems and services are dedicated to helping customers to optimize the performance of their processes. Time and time again.

We help our customers to heat, cool, separate and transport products such as oil, water, chemicals, beverages, foodstuffs, starch and pharmaceuticals.

Our worldwide organization works closely with customers in almost 100 countries to help them stay ahead.

How to contact Alfa Laval

Up-to-date Alfa Laval contact details for all countries are always available on our website at www.alfalaval.com